

Suministros Industriales

MP-4

cadenas portacables

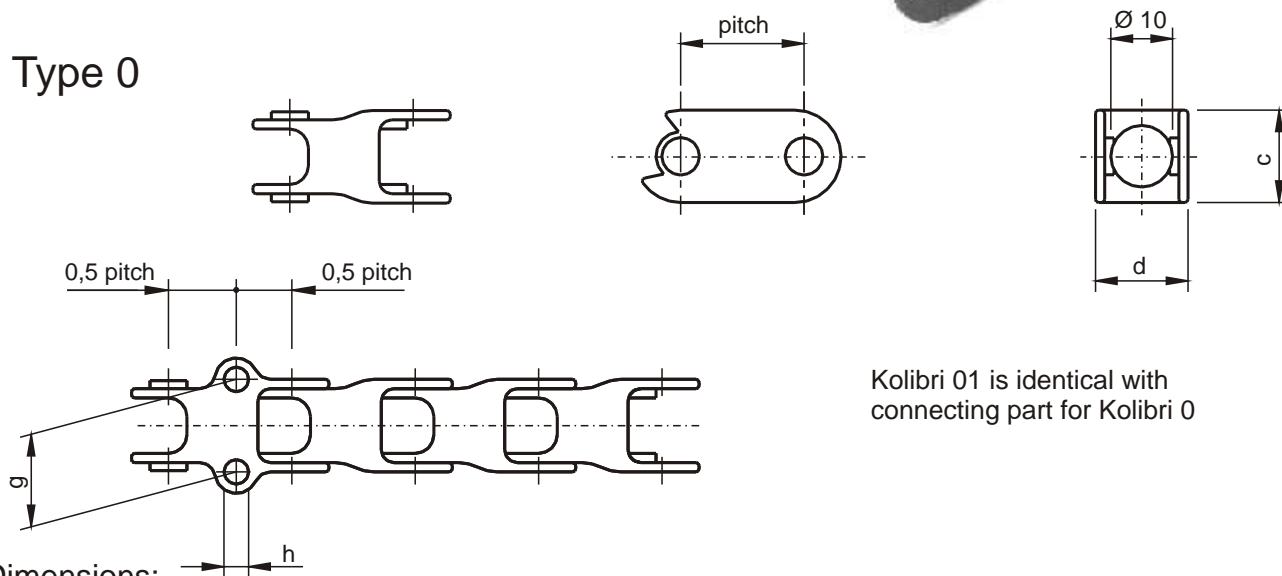
Kolibri

Kolibri: Type 0,01,1,2,3

- * smallest dimensions
- * easily extendable and shortable
- * integrated end connectors
- * highly rigid and wear resistant



Type 0

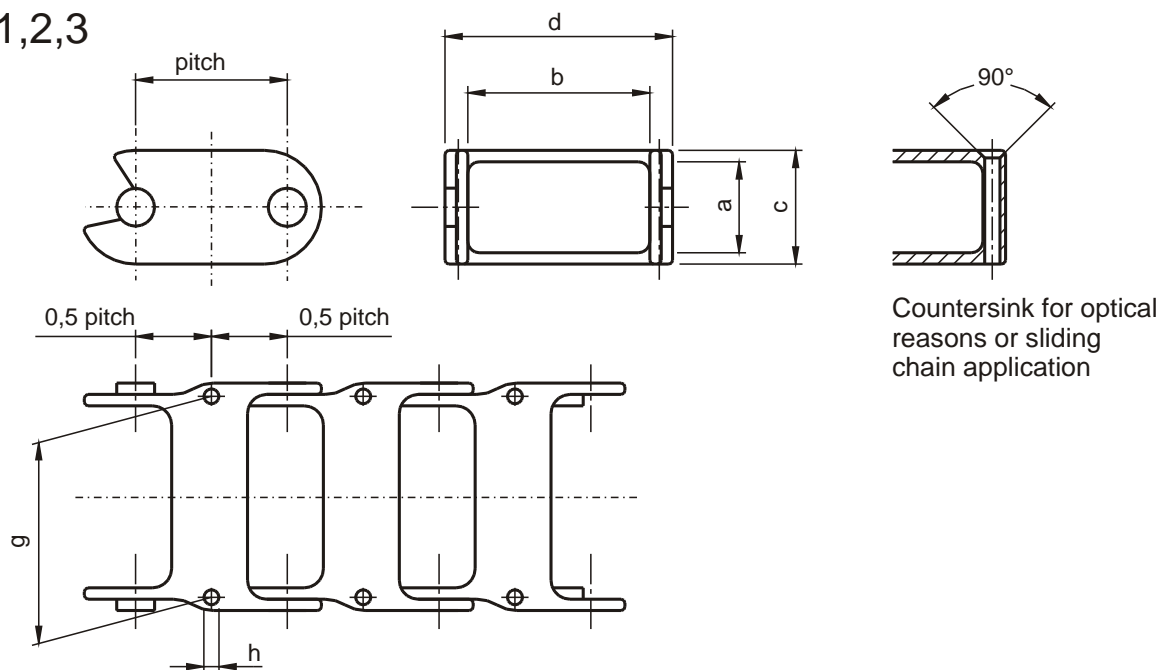


Kolibri 01 is identical with connecting part for Kolibri 0

Dimensions:

Type	Bending Radius R	pitch	Inner dim.		Outer dim.		Connecting dim.		weight kg / m
			Ø 10		c	d	g	h	
Kolibri 0	17,5 / 20 / 30	20	Ø 10		15	15	15	4	0,13

Type 01,1,2,3



Countersink for optical reasons or sliding chain application

Dimensions:

Type	Bending Radius R	pitch	Inner dim.		Outer dim.		Connecting dim.		weight kg / m
			a	b	c	d	g	h	
Kolibri 01	20 / 30	20	Ø 10		15	22	15	4	0,15
Kolibri 1	40/100/200	40	24	18	30	30	23	4	0,5
Kolibri 2	40/100/150/200	40	24	48	30	60	53	4	0,6
Kolibri 3	40/100/200	40	24	78	30	90	83	4	0,7

